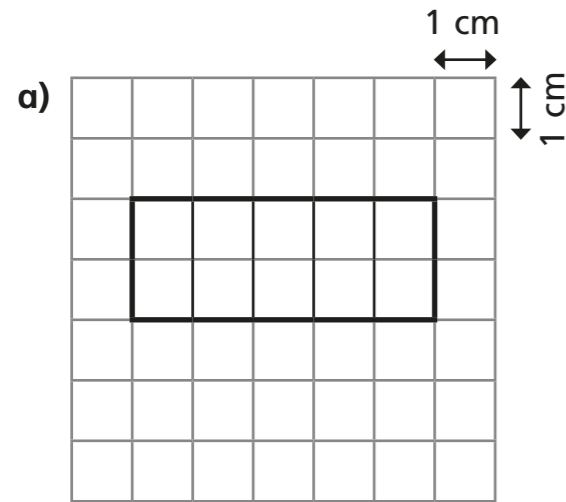
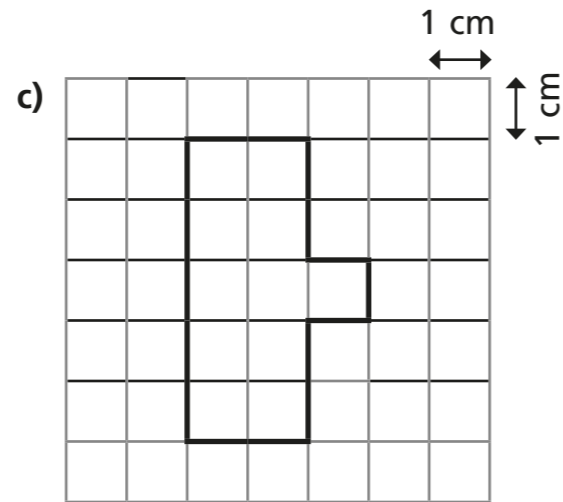
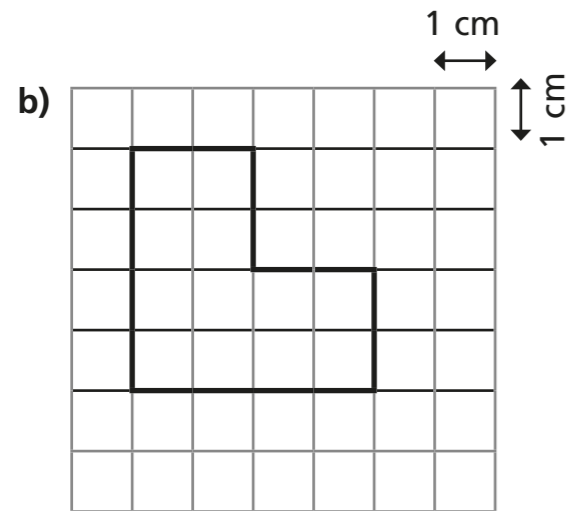


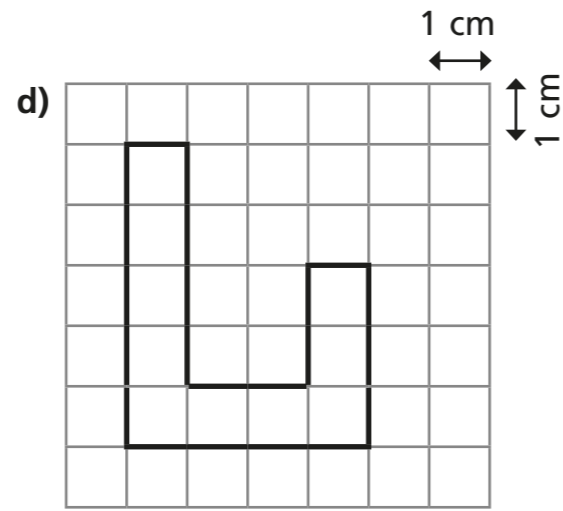
Calculate perimeter

1 Calculate the perimeter of each shape.

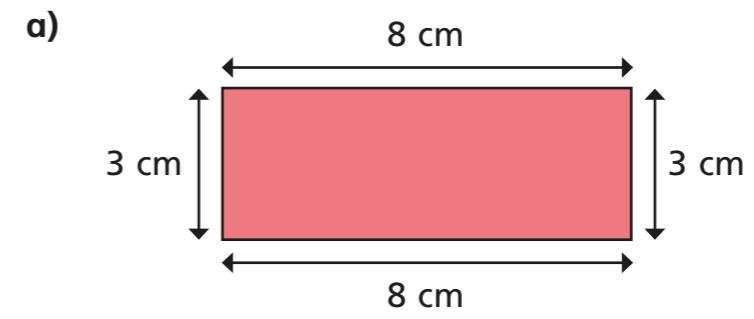


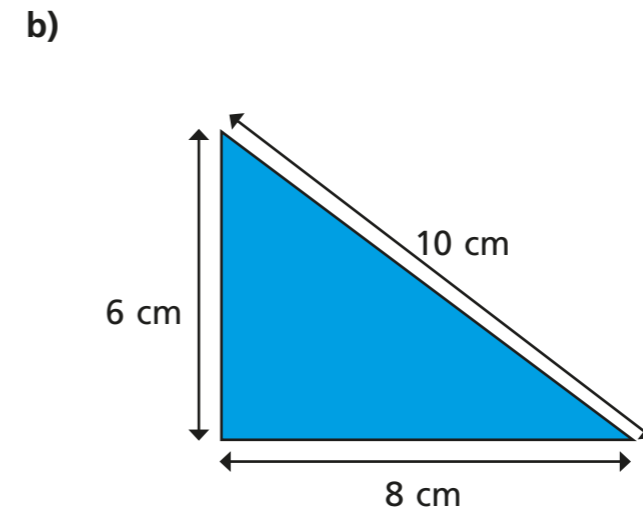




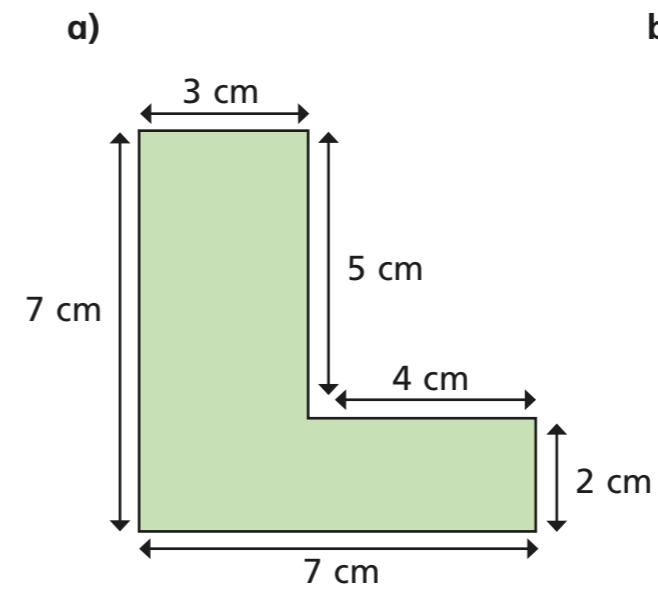


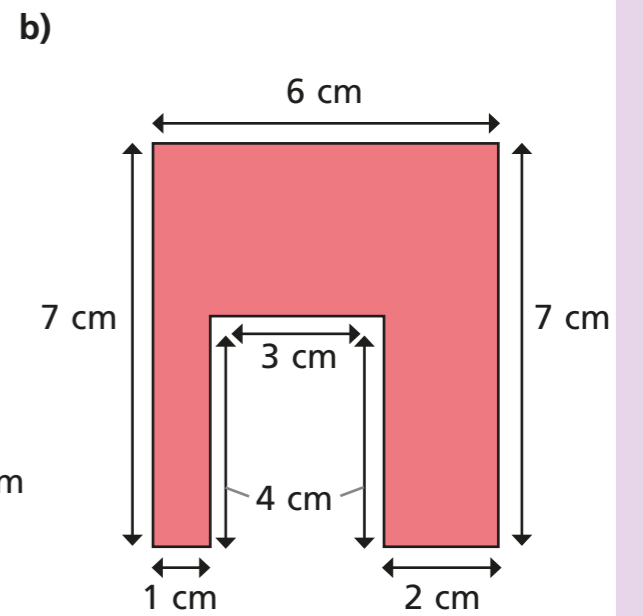
2 Calculate the perimeter of these shapes.



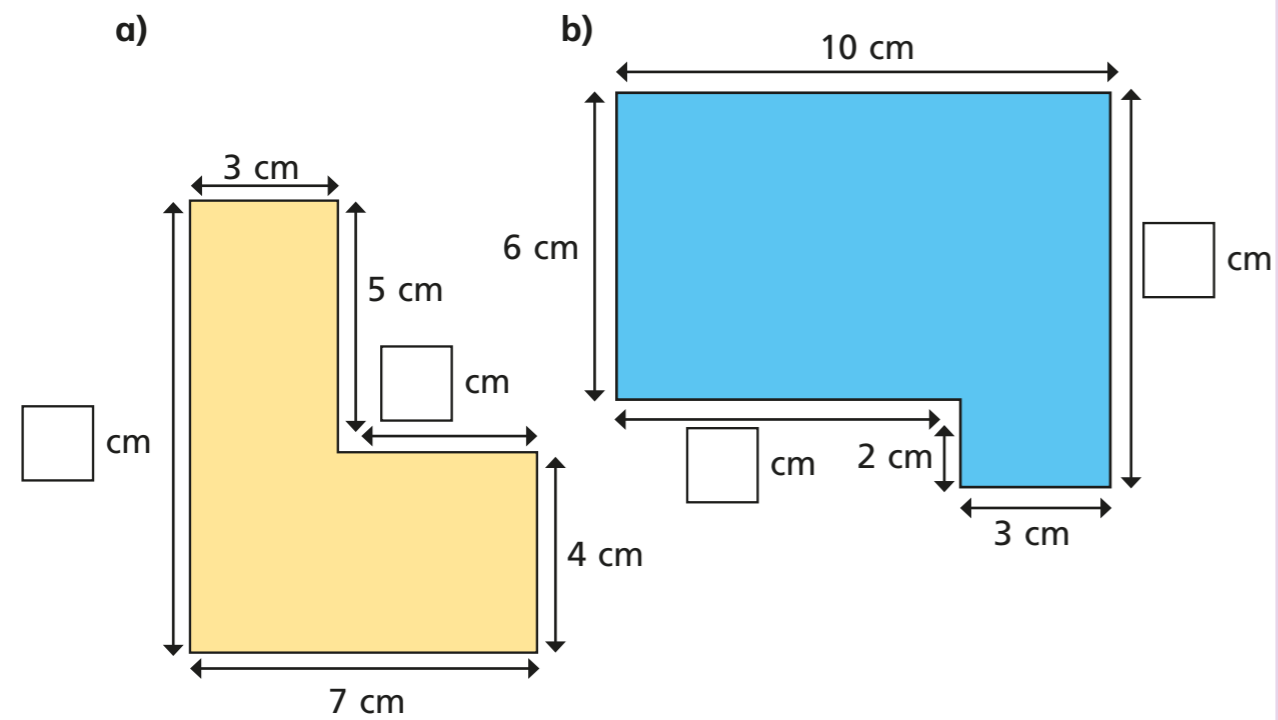


3 Calculate the perimeter of these shapes.



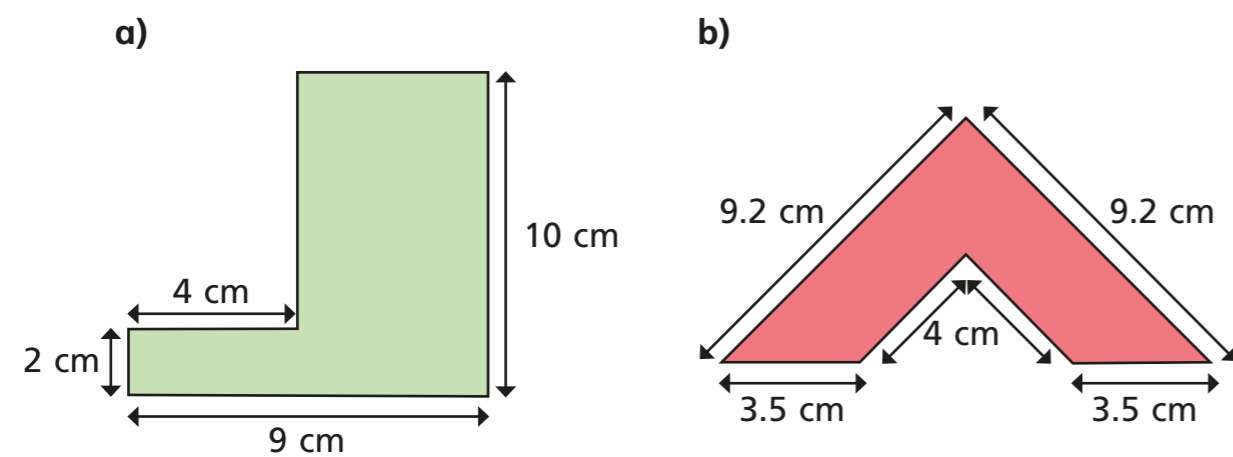


4 Work out the missing lengths on these shapes.



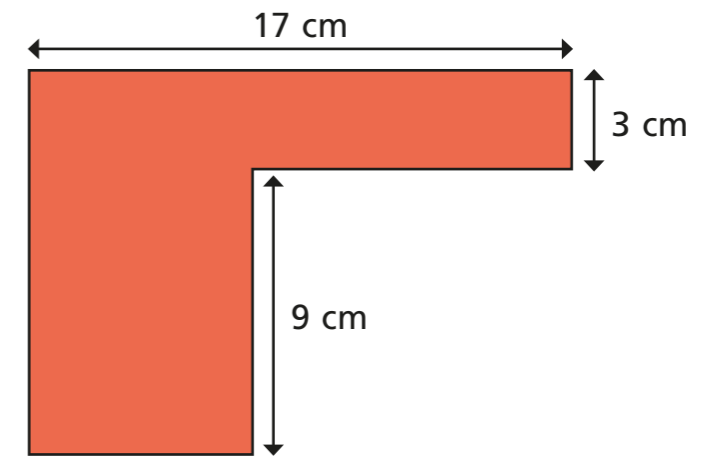
Discuss with a partner how you worked them out.

5 Calculate the perimeter of these shapes.



6 Mo thinks that there is not enough information to calculate the perimeter of the shape.

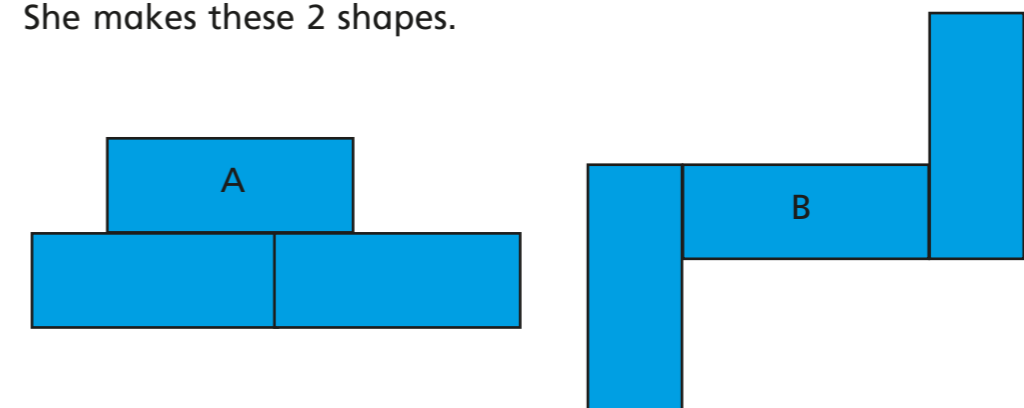
Is he correct? How do you know?



7 Rosie is making shapes made up of 3 rectangles.

Each rectangle has a length of 10 cm and a width of 4 cm.

She makes these 2 shapes.



a) Which shape has the greatest perimeter? _____

b) What other shapes can you make with 3 rectangles?

What is the perimeter of the shapes?